

# Ethernet TCP/IP and Modbus/TCP



**100 mm high digits. Industrial environment  
Readable from up to 50m  
1 o 2 displaying sides.**

## Application field

Production counting and display. PC data from Scada software.  
Any variable from a PC or PLC.

## Colour option

Available for models DN-109 and DN-119. It lets you to choose the display colour depending on the input value.  
The valid colours are: Red, green and yellow.



## Option to display the measures units

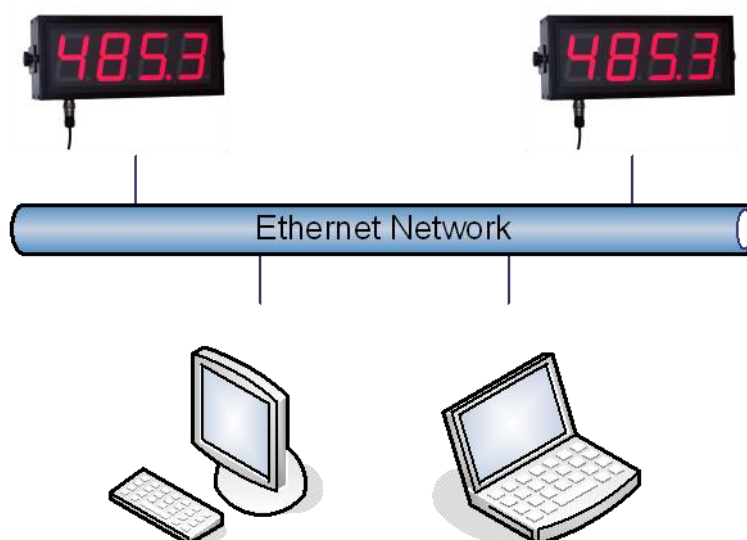
Several measure units can be permanently displayed: Kg, Tm, °C, mV, m/s, l/s, or any other unit, as the consumer desires, up to three characters.

## Serial line configuration

The displays includes two push buttons to configure the protocol, the transmission characteristics and read the MAC code.

## General specifications

Numeric display Height	100mm
Unity of mesures text Height (optional)	60mm
Visibility	50 meters
Valid characters	0 a 9, A,b,C,c,d,E,F,H,h,i,J,L,n,o,P,r,U, [espace], =, [point], uppers., unders.
Maximum environmental illumination	1000 lux
Maximum environmental lighting. Models (eh)	Outdoor
Colour. Red/Green/Yellow	Applicable
Supply voltage	100VAC to 240VAC 50/60Hz. Option 24VCC
Display sides	One or two
Housing	Rugged aluminum extrusion
Mounting	Wall or suspension
Protocols	TCP/IP, UDP/IP and Modbus/TCP

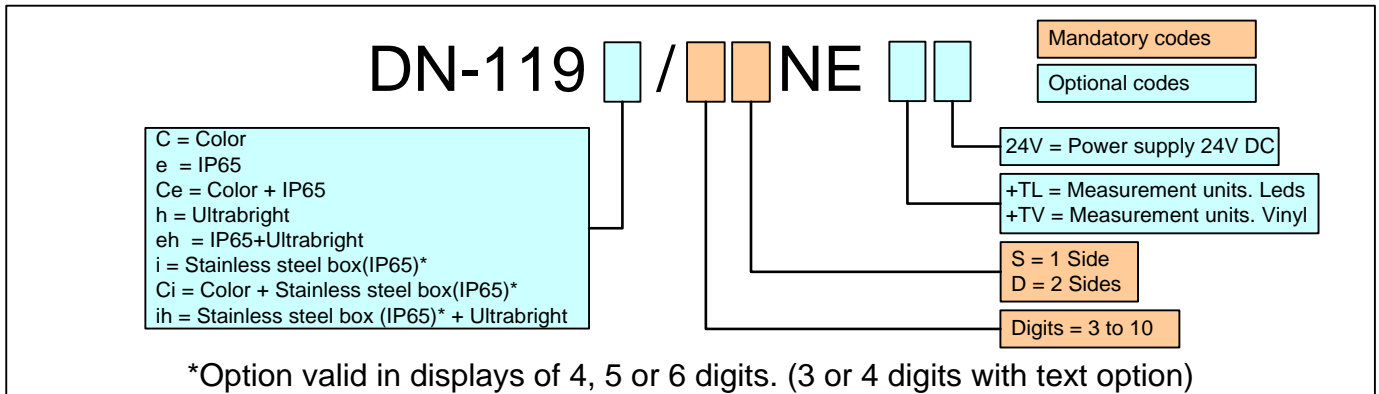


## Dimensions

Digits	3	4	5	6	7	8	9	10
--------	---	---	---	---	---	---	---	----

DN-119	Height = 175mm			Depth = 120mm				
Width in mm	324	414	504	594	684	774	864	954
Width + Option text in mm	504	594	684	774	864	954	1044	1134

## Reference composition



### EXAMPLES:

#### DN119/4DNE

4 digits, DN-119 series display, two sides.

#### DN119/5SNE+TL rpm

5 digits, DN-119 series display, one side.  
 Text option: rpm.

#### DN-119Ce/6SNE

6 Digits, DN-119 series, one side.  
 Red/green/yellow colour display digits. Protection degree IP65.